



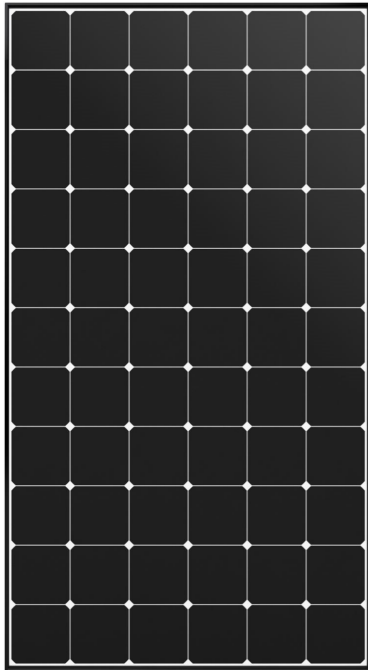
Back Contact



White Backsheet
Black Frame



Residential



MAXEON 5

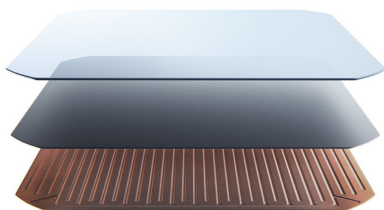
POWER RANGE: 390-415 W | EFFICIENCY: Up to 22.0%

Hundreds of patents, decades of design and five cell generations have led to the new Maxeon 5 solar panel. Part of the recordsetting SunPower Maxeon product line, Maxeon 5 pushes the boundaries of solar innovation, reliability and sustainability.¹

SunPower Maxeon panels are world-renowned for their energy production and savings advantages that combine unmatched efficiency and reliability with an industry-leading warranty and an estimated 40-year useful life.^{2,3,4}

SunPower Maxeon Solar Cell Technology

- Proven technology across 3.5 billion cells shipped
- Most efficient commercialized solar technology¹
- Only solar cell with a solid-metal foundation, providing patented protection from breakage and corrosion



Maximum Lifetime Energy and Savings

The SunPower Maxeon 5 solar panel is designed to deliver 35% more energy in the same space over 25 years in real-world conditions such as partial shade and high temperatures.^{5,6,7}

A Better Product. A Better Warranty.

The 25-year SunPower Complete Confidence Panel Warranty is backed by testing and field data from more than 30 million SunPower Maxeon panels deployed—and a demonstrated warranty return rate of .005%.⁸



- Year 1 Minimum Warranted Power Output 98.0%
- Maximum Annual Degradation 0.25%
- Year 25 Warranted Power Output 92.0%

Leadership in Sustainable Manufacturing

SunPower Maxeon panels—and the facilities in which they are produced—raise the bar for environmental and social responsibility. Included below are highlights of the certifications and recognition received by some of our products and manufacturing sites.



Landfill-Free Facility
NSF P445



MAXEON 5 POWER: 390-415 W | EFFICIENCY: Up to 22.0% - PRELIMINARY

Electrical Data				
	SPR-MAX5-415	SPR-MAX5-410	SPR-MAX5-400	SPR-MAX5-390
Nominal Power (Pnom) ⁹	415 W	410 W	400 W	390 W
Power Tolerance	+5/0%	+5/0%	+5/0%	+5/0%
Panel Efficiency	22.2%	22.0%	21.5%	22.0%
Rated Voltage (Vmpp)	40.3 V	40.0 V	39.5 V	39.0 V
Rated Current (Impp)	10.3 A	10.2 A	10.1 A	10.0 A
Open-Circuit Voltage (Voc) (+/-3%)	48.2 V	48.2 V	48.1 V	48.0 V
Short-Circuit Current (Isc) (+/-3%)	10.9 A	10.9 A	10.9 A	10.8 A
Max. System Voltage	1000 V IEC			
Maximum Series Fuse	20 A			
Power Temp Coef.	-0.29% / °C			
Voltage Temp Coef.	-0.239% / °C			
Current Temp Coef.	0.057% mA / °C			

Tests And Certifications	
Standard Tests ¹⁰	IEC 61215, IEC 61730
Quality Management Certs	ISO 9001:2015, ISO 14001:2015
Ammonia Test	IEC 62716
Desert Test	IEC 60068-2-68, MIL-STD-810G
Salt Spray Test	IEC 61701 (maximum severity)
PID Test	1000 V: IEC 62804
Available Listings	TUV

Sustainability Tests and Certifications	
IFLI Declare Label	First solar panel labeled for ingredient transparency and LBC-compliance. ¹²
Cradle to Cradle Certified™ Bronze	First solar panel line certified for material health, water stewardship, material reutilization, renewable energy & carbon management, and social fairness. ¹³
Green Building Certification Contribution	Panels can contribute additional points toward LEED and BREEAM certifications. ¹⁴
EHS Compliance	RoHS, OHSAS 18001:2007, lead free, REACH SVHC-163

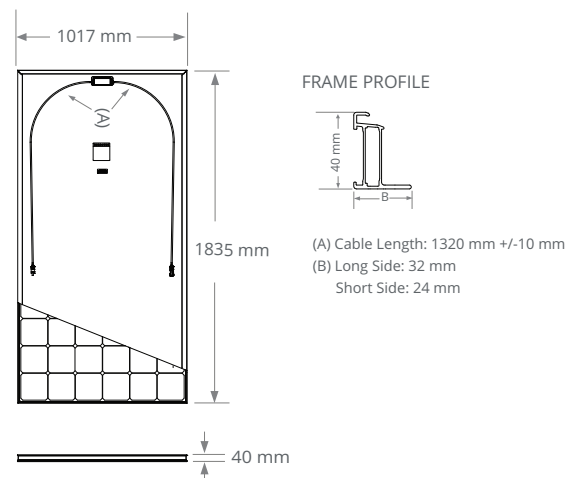
1 Based on datasheet review of websites of top 20 manufacturers per IHS, as of Jan, 2020.
 2 Jordan, et. al. Robust PV Degradation Methodology and Application. PVSC 2018.
 3 Based on Oct. 2019 review of warranties on manufacturer websites for top 20 manufacturers per IHS 2018.
 4 "SunPower Module 40-Year Useful Life," SunPower whitepaper. 2013.
 5 SunPower 415 W, 22.0% efficient, compared to a Conventional Panel on same-sized arrays (370 W mono PERC, 19% efficient, approx. 1.64 m²)
 6 PV Evolution Labs "SunPower Shading Study," 2013. Compared to a conventional front contact panel.
 7 Based on temperature coefficients provided in manufacturer datasheets 2020.
 8 SunPower panels are less than 50 dppm, or 0.005%, on over 15 million panels shipped - Source: SunPower White Paper, 2019.
 9 Standard Test Conditions (1000 W/m² irradiance, AM 1.5, 25° C). NREL calibration Standard: SOMS current, LACCS FF and Voltage.
 10 Class C fire rating per IEC 61730.
 11 Safety factor 1.5 included.
 12 SunPower Maxeon DC panels first received the International Living Future Institute Declare Label in 2016.
 13 SunPower Maxeon DC panels are Cradle to Cradle Certified™ Bronze - www.c2ccertified.org/products/scorecard/e-series_x-series_solar_panels_-_sunpower_corporation. Cradle to Cradle Certified™ Bronze. Cradle to Cradle Certified™ is a certification mark licensed by the Cradle to Cradle Products Innovation Institute.
 14 Maxeon panels can contribute to LEED Materials and Resources categories and BREEAM certification.

Designed in U.S.A. by SunPower Corporation
 Made in Philippines (Cells)
 Assembled in Mexico (Module)

Specifications included in this datasheet are subject to change without notice.

©2020 Maxeon Solar Technologies. All Rights Reserved.
 View warranty, patent and trademark information at maxeon.com/legal.

Operating Condition And Mechanical Data	
Temperature	-40°C to +85°C
Impact Resistance	25 mm diameter hail at 23 m/s
Solar Cells	66 Monocrystalline Maxeon Gen 5
Tempered Glass	High-transmission tempered anti-reflective
Junction Box	IP-68, TE (PV4S), 3 bypass diodes
Weight	20 kg
Max. Test Load ¹¹	Wind: 5400 Pa, 611 kg/m ² back Snow: 8100 Pa, 917 kg/m ² front
Design Load	Wind: 3600 Pa, 367 kg/m ² back Snow: 5400 Pa, 611 kg/m ² front
Frame	Class 1 black anodized (highest AAMA rating)



Please read the safety and installation guide.