



19.4% EFFICIENCY

UP TO 340 W

60 CELLS



EUPD RESEARCH

TOP BRAND PV

MODULES

GERMANY

2018

EUPD RESEARCH

TOP BRAND PV

MODULES

AUSTRALIA

2018



Exceeds the IEC standard 3 times over

Because standards are there to be surpassed.



Low series resistance

Because we want best yields for you.



PERC Technologies

Because a 3% increase in yield is better than nothing.



15 year product warranty

25 year linear performance guarantee.



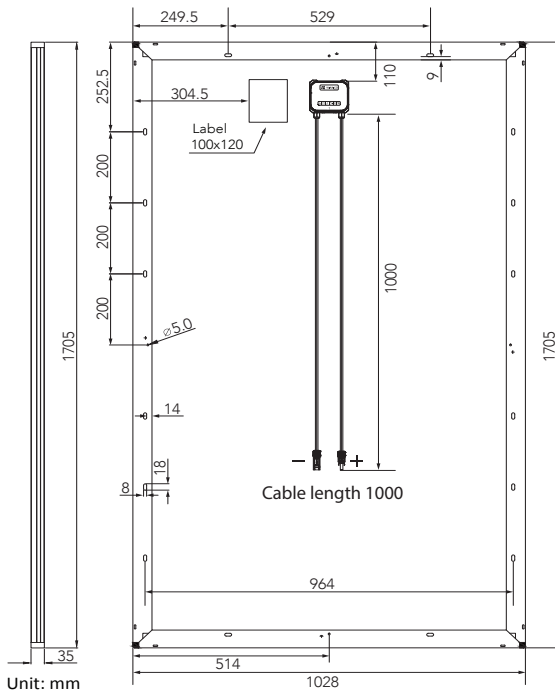
10 years of WINAICO quality modules

WINAICO has been providing the global market with quality solar panels for over 10 years.



Water drainage design

Avoid water and dust accumulation to prevent power degradation and hotspot problems.



Mechanical data

Cell	Monocrystalline 161.7 x 161.7 mm
Quantity and wiring of cells	60 in series
Dimensions	1,705 x 1028 x 35 mm (67.13 x 40.47 x 1.38 in)
Weight	20.6 kg (45.8 lbs)
Glass thickness	3.2 mm (0.13 in)
Frame	Black anodised aluminium
Junction box	IP 67
Connector type	MC4 (PV-KBT4/PV-KST4) IP68; QC4.10 IP67
Module fire performance	Type 4
Fire safety class	C

Operating conditions

Operating temperature	-40 °C to +85 °C / -40 °F to +185 °F
Maximum system voltage IEC/UL	1,000 V/1,000 V
Maximum series fuse	20 A
Maximum design load (+) / (-)	3,600 Pa / 2,400 Pa
Maximum test load (+) / (-)	5,400 Pa / 3,600 Pa
Nominal Module Operating Temperature NMOT	43.85 ± 3 °C
Temperature coefficient of P _{MAX}	-0.38%/°C
Temperature coefficient of V _{OC}	-0.29%/°C
Temperature coefficient of I _{SC}	0.04%/°C

Certifications

IEC 61215-1:2016, IEC 61215-2:2016, IEC 61730-1:2016, IEC 61730-2:2016

Electrical data (STC)		WSP-330MX	WSP-335MX	WSP-340MX	
Nominal performance	P _{MAX}	330	335	340	Wp
Voltage at maximum performance	V _{MP}	32.80	32.82	32.85	V
Current at maximum performance	I _{MP}	10.07	10.21	10.35	A
Open circuit voltage	V _{OC}	39.93	40.27	40.61	V
Short circuit current	I _{SC}	10.62	10.68	10.74	A
Module efficiency		18.83	19.11	19.40	%
Power tolerance			-0/+5		W

The electrical data applies under standard test conditions (STC): solar radiation 1,000 W/m² with light spectrum AM 1.5, with cell temperature 25 °C. Measurement tolerance of P_{MAX} at STC: ±3%. Accuracy of other electrical data: ±10%.

Electrical data (NMOT)		WSP-330MX	WSP-335MX	WSP-340MX	
Nominal performance	P _{MAX}	240	244	248	Wp
Voltage at maximum performance	V _{MP}	30.14	30.16	30.18	V
Current at maximum performance	I _{MP}	7.98	8.09	8.20	A
Open circuit voltage	V _{OC}	37.62	37.94	38.26	V
Short circuit current	I _{SC}	8.40	8.45	8.49	A

The electrical data applies under Nominal Module Operating Temperature (NMOT), irradiance of 800 W/m², spectrum AM 1.5, ambient temperature 20 °C, wind speed 1 m/s.



This frame design, produced entirely from aluminium, guarantees maximum stability and protection against material fatigue. The rounded corners provide greater torsional stiffness and waterproofing in this critical area, where the material is at its weakest. In contrast to other corner connections that use mitered cuts or threaded connections, WINAICO's corner pieces guarantee the best possible transfer of tension across each section of the frame. The corner pieces are also designed with drainage channels, avoiding water and dust accumulation, which over time can cause cell shading, power degradation and hotspot problems.



WINAICO Deutschland GmbH
 Tel + 49 7933 700 300
 Fax + 49 7933 700 3010
 germany@winaico.com · www.winaico.com
 Industriestraße 68, 97993 Creglingen, GERMANY



WINAICO is a trademark of
 Win Win Precision Technology Co., Ltd.